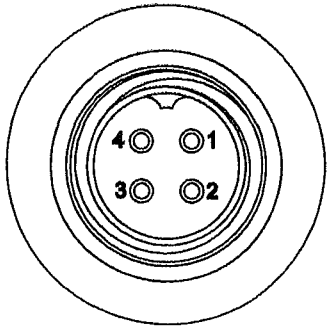


PROPRIETARY AND CONFIDENTIAL

THE INFORMATION CONTAINED IN THIS DRAWING IS THE SOLE PROPERTY OF DYTRAN INSTRUMENTS INC. ANY REPRODUCTION IN PART OR AS A WHOLE WITHOUT THE WRITTEN PERMISSION OF DYTRAN INSTRUMENTS, INC. IS PROHIBITED

REVISIONS

REV.	ECN	DESCRIPTION	BY/DATE	CHK	APPR
B	9338	.97[24.5] WAS: .97[24.54] .29[7.3] WAS: .29[7.4]	RA 11/13/12	EM 11/28/12	AS



DETAIL A

CONNECTOR PINOUT

- PIN 1 GND RETURN, COMMON
- PIN 2 SIG/PWR AXIS 2 (Y)
- PIN 3 SIG/PWR AXIS 3 (Z)
- PIN 4 SIG/PWR AXIS 1 (X)

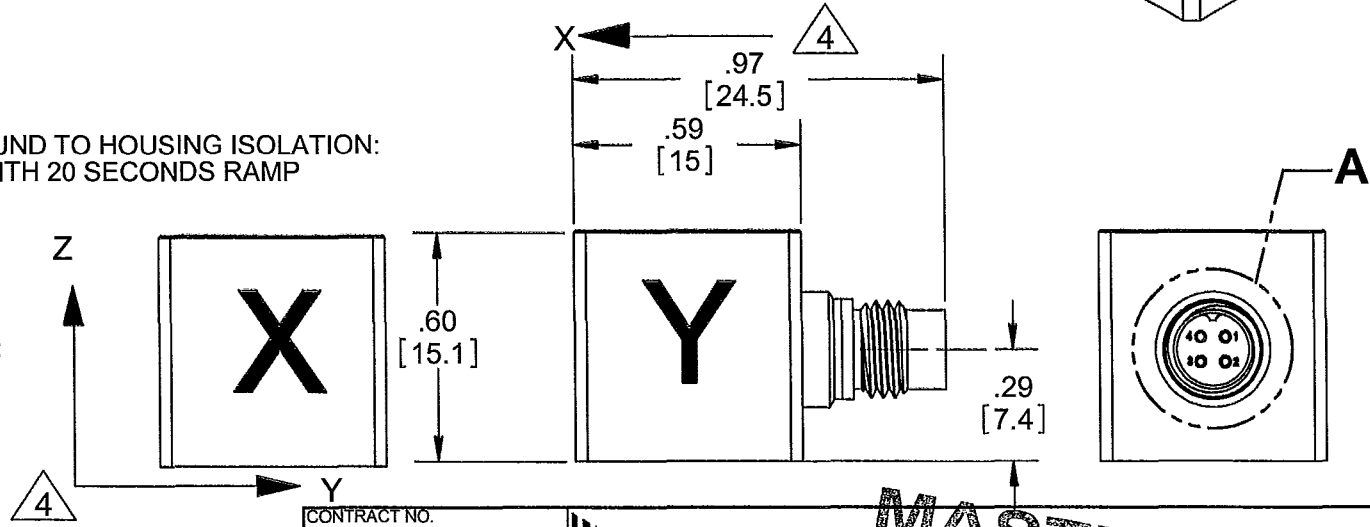
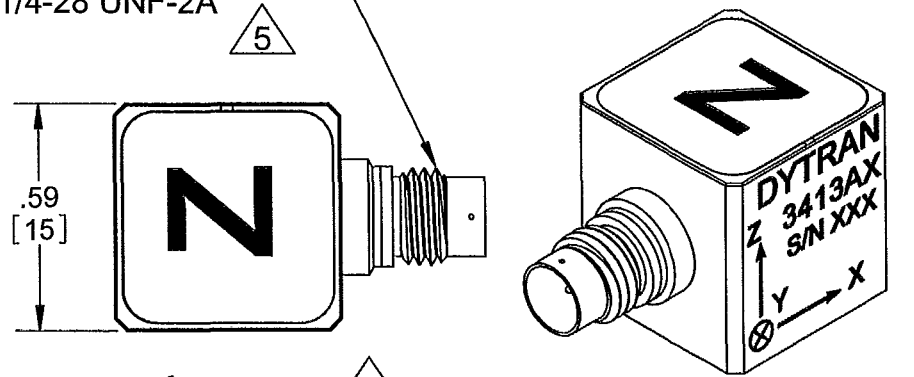
6. DIELECTRIC WITHSTAND, SIGNAL GROUND TO HOUSING ISOLATION:
1mA MAX AT 1000 VDC FOR 1 MINUTE WITH 20 SECONDS RAMP

- 5. MATES WITH DYTRAN CABLE 6811AXX (XX=LENGTH IN FEET)
- 4. ARROWS INDICATE ACCELERATION DIRECTION FOR POSITIVE OUTPUT.
- 3. HOUSING AND CONNECTOR MATERIAL: TITANIUM
- 2. WEIGHT: 13 GRAMS MAX.
- 1. ENVIRONMENTAL SEAL: HERMETIC

NOTES: UNLESS OTHERWISE SPECIFIED

MODEL NUMBER	NOMINAL SENSITIVITY
3413A1	5 mV/G
3413A2	50mV/G

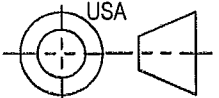
4 PIN CONNECTOR
1/4-28 UNF-2A



USED ON	NEXT ASSY

APPLICATION

THIRD ANGLE PROJECTION



UNLESS OTHERWISE SPECIFIED:
INTERPRET DIM & TOL PER ASME Y14.5M - 1994.
REMOVE BURRS.
COUNTERSINK INTERNAL THDS 90° TO MAJOR DIA.
CHAM EXT THDS 45° TO MINOR DIA.
THD LENGTHS AND DEPTHS ARE FOR MIN FULL THDS.
THDS PER MIL-S-7742.
DIMENSIONS APPLY AFTER FINISHING.
ALL MACHINED SURFACES.
TOTAL RUNOUT WITHIN .005.
BREAK SHARP EDGES .005 TO .010.
MACHINED FILLET RADII .005 TO .015.
WELDING SYMBOLS PER AWS A2.4.
ABBREVIATIONS PER MIL-STD-12.

UNLESS OTHERWISE SPECIFIED:
DIMENSIONS ARE IN INCHES.
DIMENSIONS IN BRACKETS [] ARE IN MILLIMETERS
TOLERANCES ARE:
INCHES METRIC ANGLES
.XX ± .03 .X ± 0.8 ± 1°
.XXX ± .010 .XX ± 0.25

MATERIAL	FINISH	DO NOT SCALE DRAWING

CONTRACT NO.	

APPROVALS		DATE
ORIG	JS	05/01/12
CHK	LN	05/09/12
APP	DV	05/19/12
APP		



TITLE:
OUTLINE/INSTALLATION DRAWING
3413A1 & 3413A2

SIZE	CAGE CODE	DWG. NO.	REV
A	2W033	127-3413A	B

SCALE: 2:1 SOLIDWORKS SHEET 1 OF 1

3413A2

PERFORMANCE SPECIFICATION

DOC NO
PS3413A2

Accelerometer, Triaxial, IEPE

REV B, ECN 11872, 04/01/15



- GROUND ISOLATED
- HERMETICALLY SEALED
- TEDS FUNCTION

This family also includes:

Model	Sensitivity (mV/g)	Range (Gpeak)	Resolution (Grms)	Oper. Temp(°F)	TC
3413A1	5	1000	0.007	-60 to +320	0.15 to 0.25

Please refer to the performance specifications of the products in this family for detailed description.

Supplied Accessories:

- 1) Accredited Calibration Certificate (ISO 17025).

Notes:

- [1] Glass to Metal Seal connector. Mates with Dytran cable Model 6811AXX (XX=length in feet).
- [2] Measured At 100 Hz, 1 Grms per ISA RP 37.2.
- [3] Linearity is % of specified full scale (or any less full-scale range), zero-based best fit straight line method.
- [4] Do not apply power to this device without current limiting, 20mA Max, to do so will destroy the integral IC amplifier.

PHYSICAL

Weight, MAX
Size

	ENGLISH		SI	
Length	0.5	oz	13	grams
Width	0.97	inch	24.6	mm
Height	0.59	inch	15.0	mm
Mounting	0.60	inch	15.2	mm
Connector [1]	Adhesive		Adhesive	
Material	4-pin		4-pin	
Housing	Ti-6 AL-4V		Ti-6 AL-4V	
Isolation	Case Isolated		Case Isolated	
Sensing Element	Piezoelectric		Piezoelectric	
Mode	Shear		Shear	

PERFORMANCE

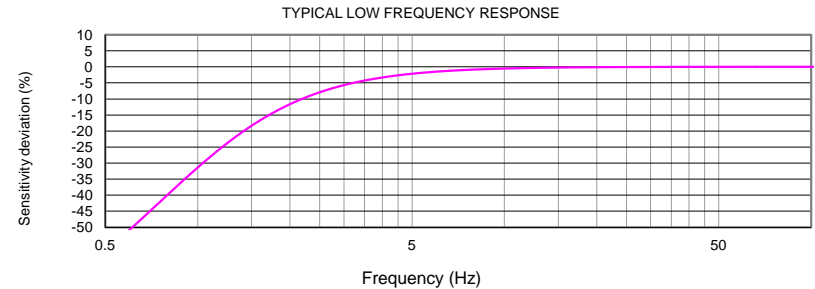
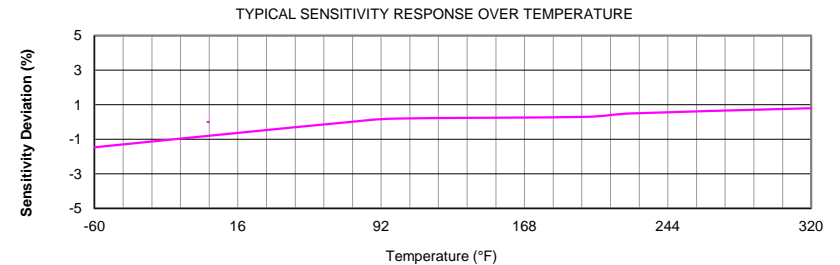
Sensitivity, +/-5% [2]	50	mV/g	5.10	mV/m/s ²
Acceleration Range, ±	100	Gpeak	981	m/s ² peak
Frequency Range, ±5%	3.3-3000	Hz	3.3-3000	Hz
Frequency Range, ±10%	2.2-5000	Hz	2.2-5000	Hz
Frequency Range, ±3dB	1.1-10000	Hz	1.1-10000	Hz
Resonance Frequency	>20	kHz	>20	kHz
Linearity [3]	1	%F.S.	1	%F.S.
Transverse Sensitivity, Max	6	%	6	%
Noise floor	0.002	Grms	0.020	m/s ² rms
Spectral Noise	1Hz	300	2943	µm/s ² rms/sqr(Hz)
	10Hz	60	589	µm/s ² rms/sqr(Hz)
	100Hz	20	196	µm/s ² rms/sqr(Hz)
	1000Hz	10	98	µm/s ² rms/sqr(Hz)
	10000Hz	10	98	µm/s ² rms/sqr(Hz)

ELECTRICAL

Supply Current Range [4]	2 to 20	mA	2 to 20	mA
Compliance Voltage Range	+18 to +30	VDC	+18 to +30	VDC
Output Impedance, Typ.	100	Ω	100	Ω
Output Bias voltage	+7 to +9	VDC	+7 to +9	VDC
Discharge Time Constant	0.15 to 0.25	sec	0.15 to 0.25	sec

ENVIRONMENTAL

Shock Max	5000	g pk	49050	m/s ²
Vibration Max	1000	g pk	9810	m/s ²
Operating Temperature	-60 to +320	°F	-51 to +160	°C
Seal	Hermetic		Hermetic	
Magnetic Sensitivity at 100 Gauss	0.0001	g/Gauss	0.000981	m/s ² /Gauss
Base Strain Sensitivity	0.002	g/µε	0.01962	m/s ² /µε



Units on the line drawing are in inches, units in brackets are in millimeters. Refer to 127-3413A for more information.



21592 Marilla Street, Chatsworth, California 91311 Phone: 818.700.7818 Fax:818.700.7880
www.dytran.com For permission to reprint this content, please contact info@dytran.com